



## Electrochemical Ethylene Sensor

# C2H4-MD-100



### Specifications

#### Sensitivity Characteristics

Detection Gas	Ethylene
Detection Range	0 ~ 100ppm
Maximum Overload	200ppm
Output Signal	100 ± 30 nA/ppm
Repeatability	± 2%
Resolution	1ppm
Typical Baseline Range (pure air)	-2ppm to +5ppm
Typical Response Time (t60)	< 30seconds
Baseline Shift (-20 ~ 40°C)	< 5ppm (typical)
Long Term Output Drift	< 3% / month
Expected Life Time	2years

Performance data conditions: 20 °C , 50%RH and 1013mBar, using MGK SENSOR recommended circuitry.

#### Operating Conditions

Operating Temperature	-20 ~ 50°C
Operating Humidity	15 ~ 90% RH
Operating Pressure Range	Atmospheric ± 10%
Recommended Load Resistor	10Ω
Bias Voltage	Not required
Position Sensitivity	None
Recommended Storage Temp.	0 ~ 20°C
Storage Life	6months

#### Physical Characteristics

Cap Color	Blue
Weight	4.5g (approx.)

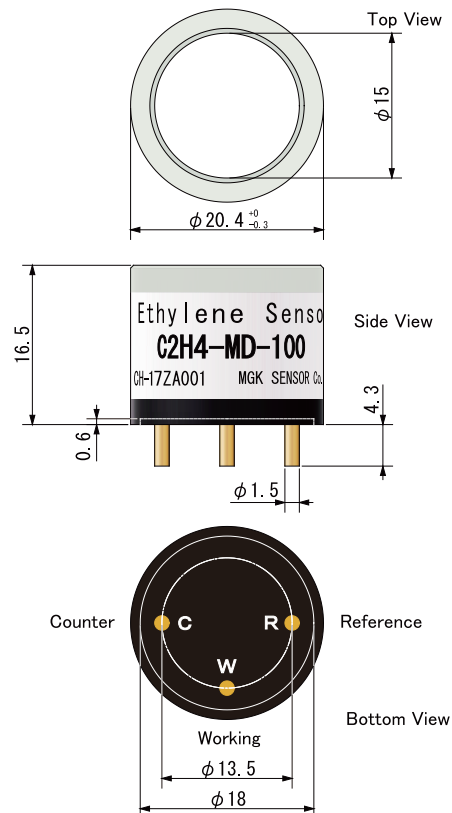
#### Typical Cross Sensitivities

Gas	Concentration (ppm)	Typical Ethylene Concentration (ppm) Equivalent
Ethylene	100	100
Carbon Monoxide	100	90
Carbon Dioxide	5000	0
Hydrogen	100	50
Nitrogen Dioxide	10	-6
Hydrogen Sulfide	10	30
Sulphur Dioxide	10	7
Ammonia	100	0
Ethanol	100	50

### Design Features

- High Sensitivity
- Excellent Selectivity
- Stability
- High Reliability
- Perfect Leak-proof Structure

### Appearance and Dimensions



All dimensions in mm  
All tolerance  $\pm 0.1$  mm unless otherwise stated

NOTE: Do not solder to electrode pins. Use exclusive sockets. Do not blow organic solvents, paints, chemical agents, oils or high concentration gases onto sensor.

NOTE: C2H4-MD-100 DN-2091 May 2016

As the products may be used outside control of MGK SENSOR, the information provided is given without legal responsibility. Customer should test under their own conditions, to ensure that the sensors are suitable for their own requirements. In accordance with the company's policy of continued product improvement, MGK SENSOR reserves the right to make product changes without notice.



MGK SENSOR Co.,Ltd. 2-190, Kagoharaminami, Kumagaya-shi, Saitama 360-0847, Japan

Tel.048-594-8518 Fax.048-594-8974 E-mail:info@mgk-sensor.co.jp <http://mgk-sensor.co.jp/>